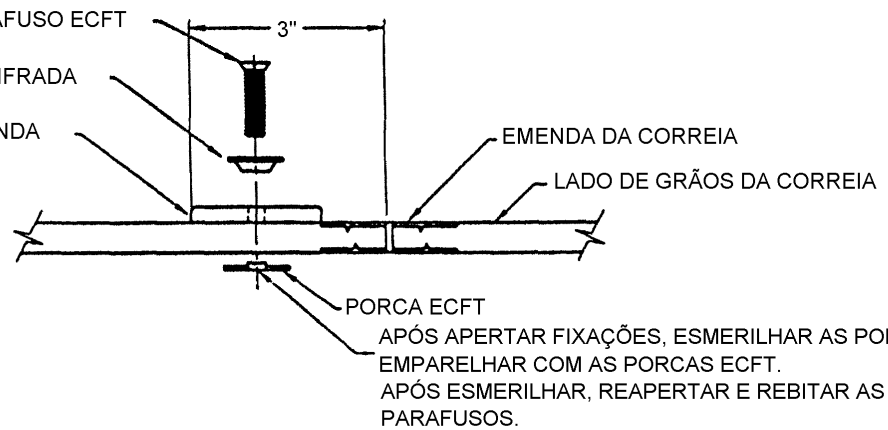
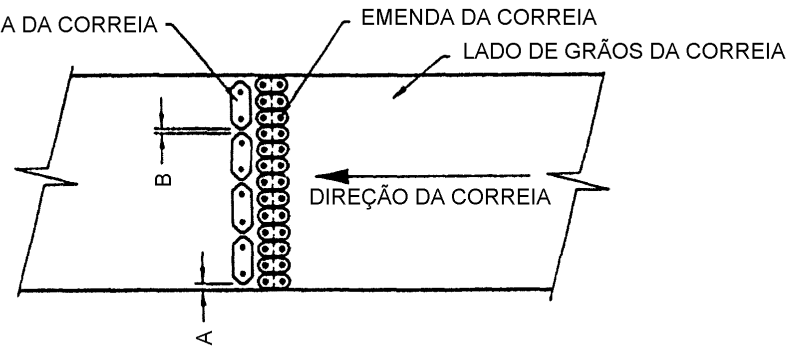


DETALHE DO PROTETOR DE EMENDA
CORREIA DE BORRACHA



APÓS APERTAR FIXAÇÕES, ESMERILHAR AS PONTAS ATÉ EMPARELHAR COM AS PORCAS ECFT.
APÓS ESMERILHAR, REAPERTAR E REBITAR AS PONTAS DOS PARAFUSOS.

BELT SPLICE PROTECTOR SPACING

BELT WIDTH	NO. PADS	ECFT BOLTS	DIM. A	DIM. B
12	3	6	3/16"	3/16"
16	4	8	1/4"	3/16"
18	4	8	3/4"	1/2"
20	5	10	1/4"	3/16"
22	5	10	5/8"	1/2"
24	6	12	1/4"	3/16"
26	6	12	1/2"	1/2"
30	7	14	3/8"	1/2"
36	9	18	1/8"	1/4"
42	10	20	9/16"	3/8"
48	12	24	1/8"	1/4"
54	13	26	3/8"	3/8"
60	14	28	1/2"	1/2"

NOTICE	REVISIONS AND PATTERN CHANGES				HI ROLLER ENCLOSED BELT CONVEYORS	5100 West 12th Street Sioux Falls, SD 57107-0514 800-328-1785 Fax: 605-332-1107		
	NO	REVISION	DATE	BY		CHANGE NOTICE NUMBER	DRAWN	JOB NO.
THIS DRAWING AND SPECIFICATIONS ARE THE PROPERTY OF HANSEN MANUFACTURING CORP. & HI ROLLER CONVEYORS AND ARE ISSUED IN STRICT CONFIDENCE AND SHALL NOT BE REPRODUCED OR USED IN ANY MANNER THAT IS DETRIMENTAL TO THEIR INTEREST.	A	ADDED INFO TO TABLE	10/20/77	MG	----	MG	9/26/96	STANDARD ALL MODELS
	B	REVISED TABLE, ADDED INFO	11/16/96	BL	----	CHECKED	DATE	P.N.
							TITLE	
							BELT SPLICE PROTECTOR INSTALLATION	
							ALL MODELS	
							MATERIAL	SCALE
								1/2" = 1"
							DR. WORK NUMBER	REVISION
							770B0001	
								⚠

TOLERANCES - UNLESS OTHERWISE NOTED
DETAIL DIMENSIONS: ± 1/16"
BETWEEN FINISH SURFACES:
FRACTIONAL: ± 1/64"
DECIMAL: ± 0.010"